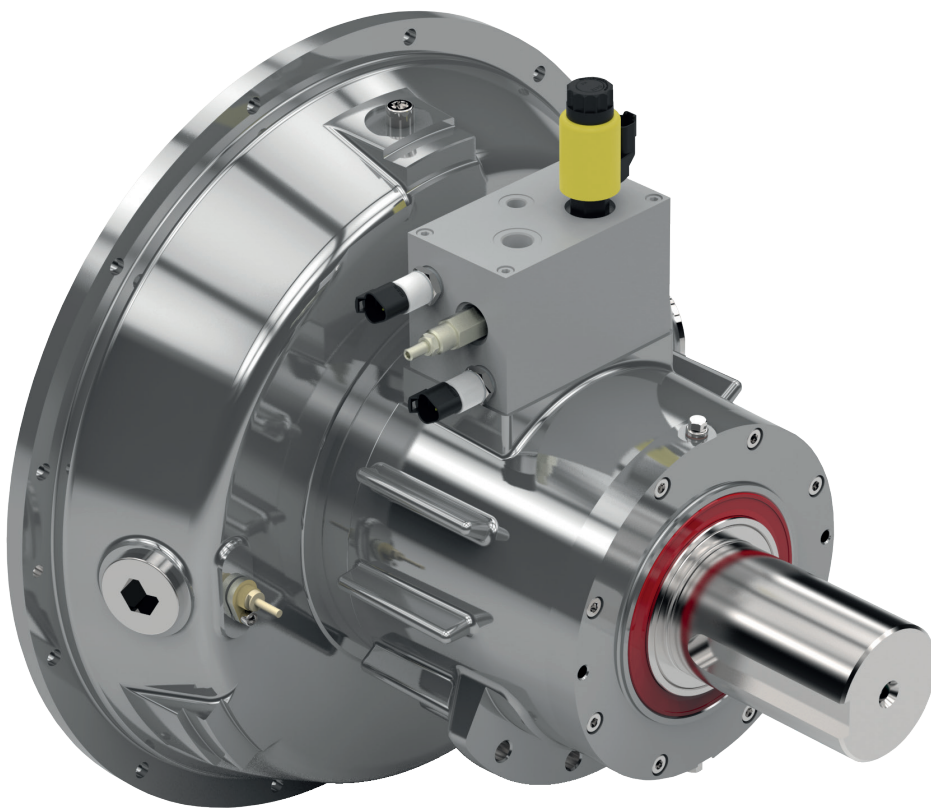


# DESCH Products for Mobile Applications



Planox<sup>®</sup> clutch PHRA 143/1 SR  
an addition to the DESCH Planox<sup>®</sup> range



## Technical specification

max. output torque	6000 Nm (4425 lb-ft)
max. operating speed	2250 rpm
engaging speed	800 rpm
max. operating pressure	350 bar (5076 psi)

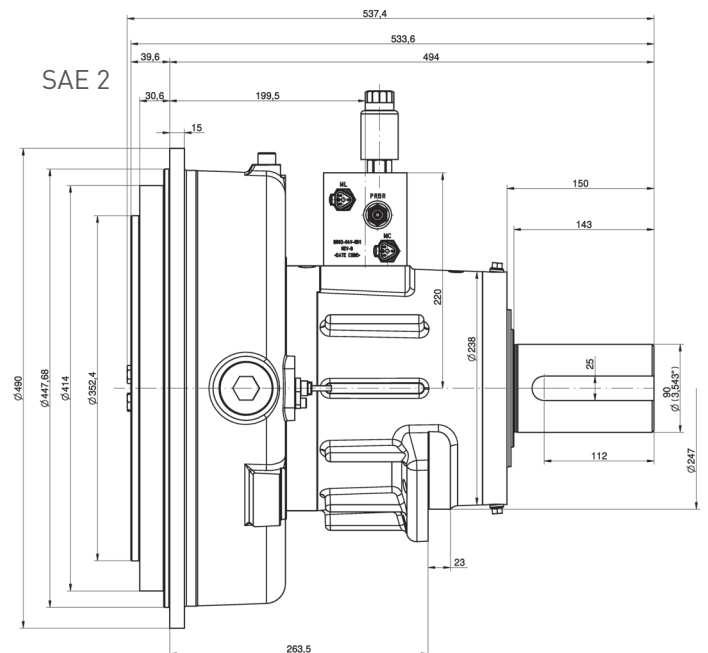
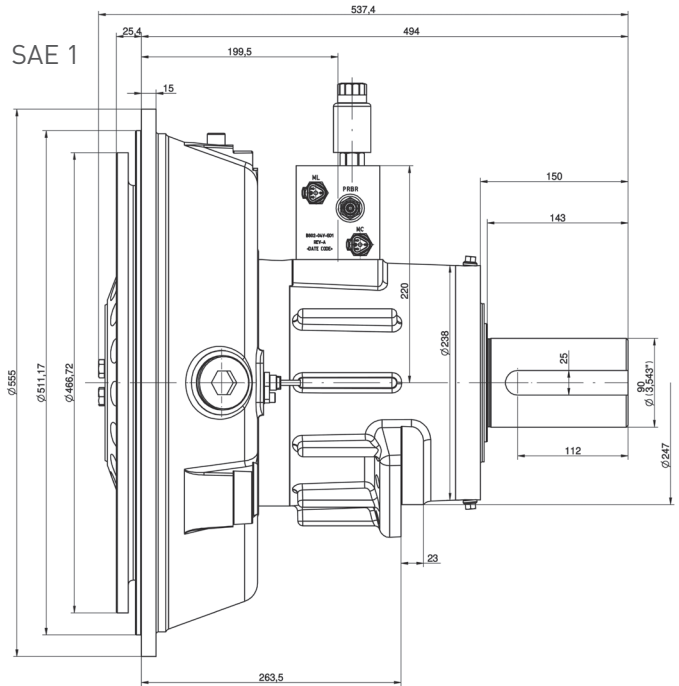
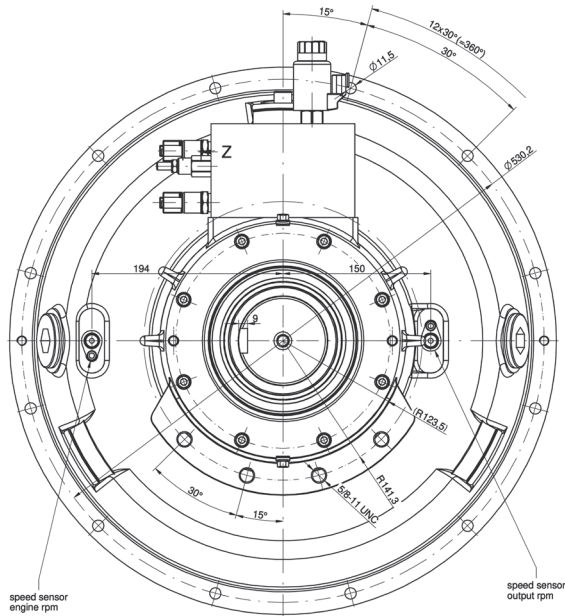
## Benefits

- high radial / axial load
- latest generation of clutch control
- self contained
- no pilot bearing
- compact design
- available in SAE 1 and SAE 2 bellhousing
- plug and play speed sensors
- hydraulic input supply up to 350 bar
- J1939 compatible
- heavy duty clutch plates





A NIDEC DRIVE TECHNOLOGY CO.



## Contact

Nidec DESCH Antriebstechnik GmbH & Co. KG  
Postbox 1440  
59753 Arnsberg/Germany  
Kleinbahnstraße 21  
59759 Arnsberg/Germany  
T +49 2932 300 0  
F +49 2932 300 899  
info@desch.com  
[www.desch.com](http://www.desch.com)

