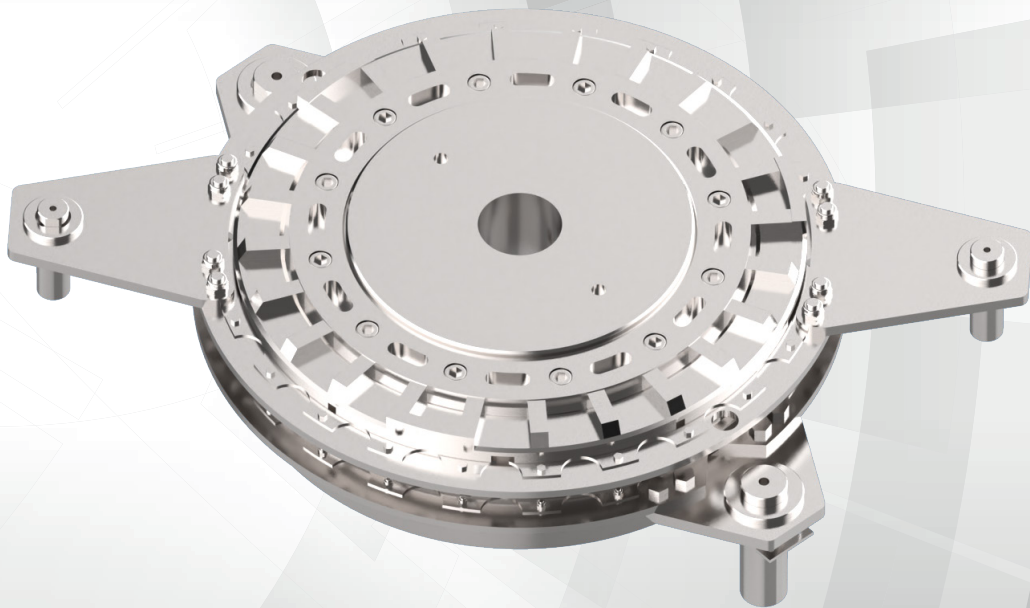


# DESCH Lutex<sup>®</sup> LOFCE

Air Actuated Clutch/Brake Unit Dry Running



Clutch / Brake

LE 24 - GB

# DESCH Lutex® LOFCE

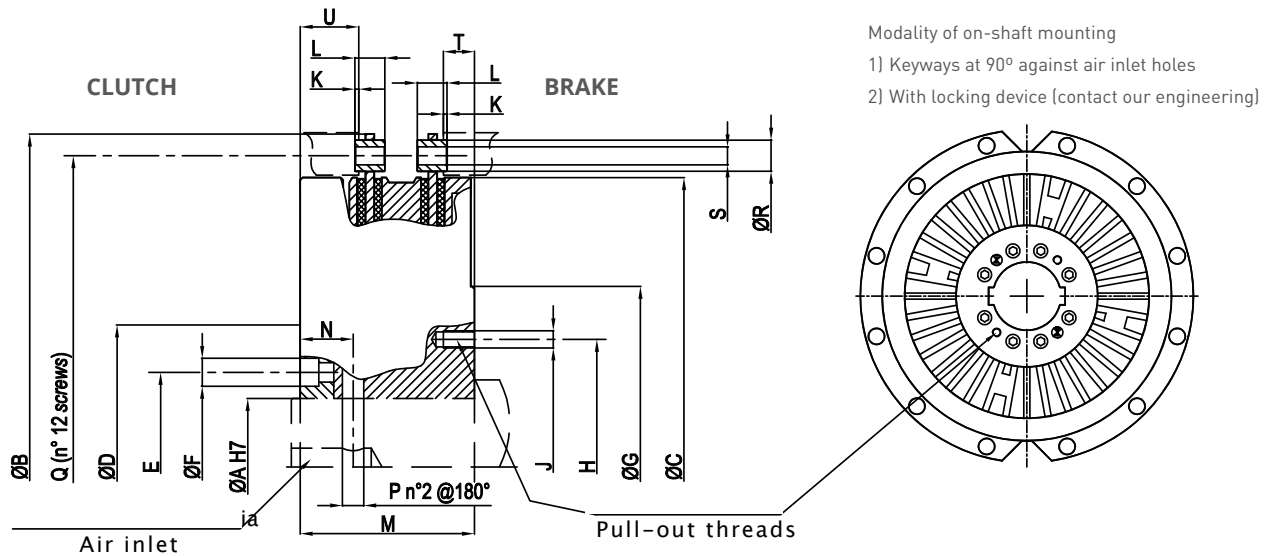
## Clutch/Brake torques due to the operating pressure and the springs number

Size	Springs	Brake torque		Brake opening pressure		Clutch torque at pressures						Inertia	
						6 bar		5.5 bar		5 bar			
	n°	Nm	lb-in	bar	PSI	Nm	lb-in	Nm	lb-in	Nm	lb-in	Kgm²	Lb*ft²
<b>25</b>	16	3700	32,745	3	43.5	3790	33,542	3100	27,435	2420	21,417	0,77	18.27
	14	3250	28,763	2,6	37.7	4350	38,498	3650	32,303	3000	26,550		
	12	2800	24,780	2,2	31.9	4900	43,365	4200	37,170	3550	31,418		
	10	2350	20,798	1,9	27.55	5450	48,233	4750	42,038	4100	36,285		
	8	1850	16,373	1,5	21.75	6000	53,100	5300	46,905	4620	40,887		
<b>30</b>	16	6800	60,180	3	43.5	7000	61,950	5750	50,888	4500	39,825	2,21	52.44
	14	5950	52,658	2,6	37.7	7950	70,358	6750	59,738	5500	48,675		
	12	5100	45,135	2,3	33.35	8950	79,208	7700	68,145	6500	57,525		
	10	4250	37,613	1,9	27.55	9950	88,058	8700	76,995	7450	65,933		
	8	3400	30,090	1,5	21.75	10950	96,908	9700	85,845	8450	74,783		
<b>40</b>	16	11000	97,350	3	43.5	10950	96,908	8985	79,517	7020	62,127	5,02	119.12
	14	9625	85,181	2,7	39.15	12530	110,891	10565	93,500	8600	76,110		
	12	8250	73,013	2,3	33.35	14115	124,918	12145	107,483	10180	90,093		
	10	6875	60,844	1,9	27.55	15695	138,901	13730	121,511	11760	104,076		
	8	5500	48,675	1,5	21.75	17275	152,884	15310	135,494	13340	118,059		
<b>45</b>	18	14000	123,900	3	43.5	14850	131,423	12300	108,855	9700	85,845	7,81	185.33
	15	11650	103,103	2,6	37.7	17500	154,875	14950	132,108	12400	109,740		
	12	9300	82,305	2,1	30.45	20150	178,328	17600	155,760	15050	133,193		
	9	7000	61,950	1,7	24.65	22800	201,780	20250	179,213	17700	156,645		
<b>50</b>	21	20000	177,000	3	43.5	21000	185,850	17350	153,548	13700	121,245	14,39	341.47
	18	17150	151,778	2,6	37.7	24300	215,055	20650	182,753	16950	150,008		
	15	14300	126,555	2,2	31.9	27550	243,818	23900	211,515	20250	179,213		
	12	11400	100,890	1,7	24.65	30850	273,023	27150	240,278	23500	207975		
<b>55</b>	21	29000	256,650	3	43.5	30000	265,500	24700	218,595	19400	171,690	25,36	601.79
	18	24850	219,923	2,6	37.7	34800	307,980	29500	261,075	24200	214,170		
	15	20700	183,195	2,2	31.9	39600	350,460	34300	303,555	29000	256,650		
	12	16550	146,468	1,7	24.65	44350	392,498	39050	345,593	33800	299,130		
<b>57</b>	21	38500	340,725	3	43.5	39300	347,805	32350	286,298	25400	224,790	39,41	935.2
	18	33000	292,050	2,6	37.7	45650	404,003	38700	342,495	31700	280,545		
	15	27500	243,375	2,2	31.9	52000	460,200	45000	398,250	38050	336,743		
	12	22000	194,700	1,7	24.65	58300	515,955	51350	454,448	44350	392,498		

Due to technical updates, we reserve the right to make changes without previous notice.

# DESCH Lutex<sup>®</sup> LOFCE

## Single-Disc Clutch and Brake - with friction linings



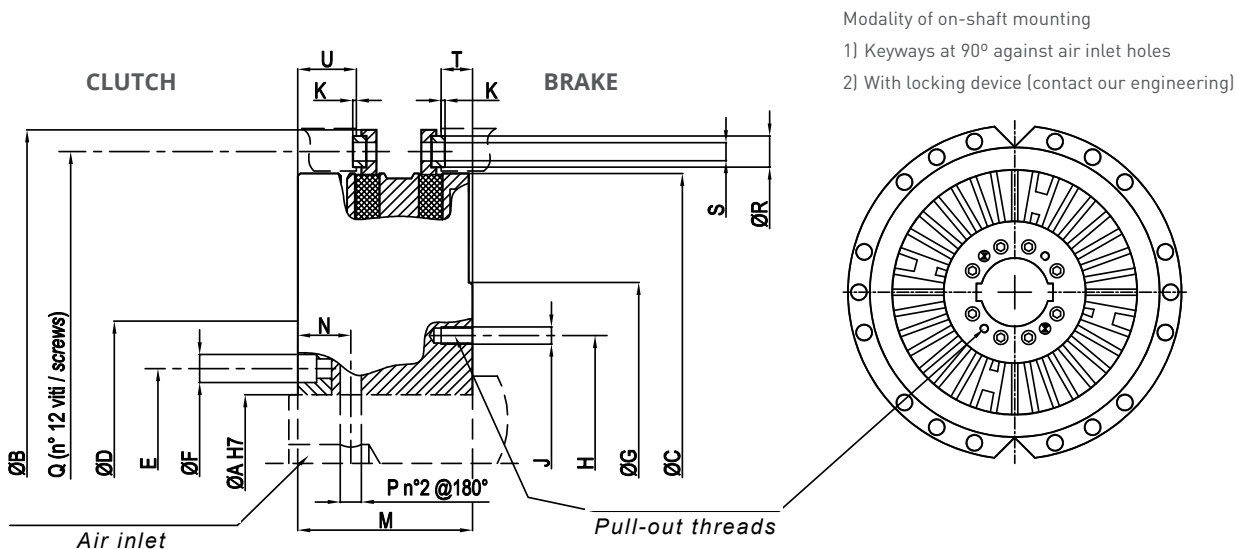
Size	25		30		40		45		50		55		57	
Type	mm	in	mm	in	mm	in	mm	in	mm	in	mm	in	mm	in
<b>A max</b>	95	3.74	125	4.92	140	5.51	160	6.29	180	7.08	200	7.87	220	8.66
<b>A min</b>	55	2.16	70	2.75	80	3.14	90	3.54	100	3.93	110	4.33	115	4.5
<b>B</b>	437	17.2	535	21.06	620	24.41	680	26.77	775	30.51	865	34.06	950	37.4
<b>C</b>	380	14.96	465	18.3	543	21.37	593	23.34	675	26.57	755	29.72	830	32.67
<b>D</b>	168	6.61	228	8.97	325	12.79	375	14.76	420	16.53	500	19.68	480	18.89
<b>E</b>	118	4.64	152	5.98	174	6.85	194	7.63	220	8.66	225	8.85	280	11.02
<b>F</b>	19	0.74	22,5	0.88	26	1	28	1.1	32	1.25	38	1.49	38	1.49
<b>G</b>	221	8.7	290	11.41	330	12.99	362	14.25	425	16.73	465	18.3	530	20.86
<b>H</b>	155	6.1	205	8.07	225	8.85	250	9.84	300	11.81	320	12.59	380	14.96
<b>J</b>	M12		M14		M16		M18		M20		M24		M24	
<b>K</b>	3	0.11	3	0.11	3	0.11	3	0.11	4	0.15	4	0.15	4	0.15
<b>L</b>	19	0.74	24	0.94	28	1.1	30	1.18	33	1.29	41	1.61	44	1.73
<b>M</b>	112	4.4	140	5.51	160	6.29	175	6.88	195	7.67	220	8.66	240	9.44
<b>N</b>	36	1.41	42,5	1.67	51	2	55,0	2.16	64	2.5	71	2.79	78	3.07
<b>P</b>	14	0.55	17	0.66	20	0.78	22	0.86	25	0.98	28	1.1	30	1.18
<b>Q</b>	408	16.06	500	19.69	584	22.99	640	25.2	725	28.54	810	31.89	890	35.04
<b>R</b>	18	0.7	25	0.98	25	0.98	30	1.18	35	1.37	41	1.61	45	1.77
<b>S</b>	M10		M14		M14		M16		M20		M24		M24	
<b>T</b>	20	0.78	25	0.98	28	1.1	32	1.26	35	1.37	40	1.57	44	1.73
<b>U</b>	38	1.49	47	1.85	55	2.16	61	2.4	66	2.59	75	2.95	81	3.18
<b>Max Speed</b>	rpm		rpm		rpm		rpm		rpm		rpm		rpm	
	1500		1250		1100		1000		850		750		700	
<b>Weight</b>	kg	lb	kg	lb	kg	lb	kg	lb	kg	lb	kg	lb	kg	lb
	51,61	113.8	98,5	217.19	163,8	361.18	213,6	470.99	309,5	682.45	435,16	959.53	568,63	1253.8
<b>New cylinder volume</b>	lt		lt		lt		lt		lt		lt		lt	
	0,644		0,87		1,4		1,94		2,43		3,16		5,358	
<b>Worn cylinder volume</b>	lt		lt		lt		lt		lt		lt		lt	
	1,273		1,866		3,036		4,1		4,73		6,73		9,513	

For single stroke operations consult our technical office.

Due to technical updates, we reserve the right to make changes without previous notice.

# DESCH Lutex® LOFCE-KK BK

## Single-Disc Clutch and Brake - with friction blocks



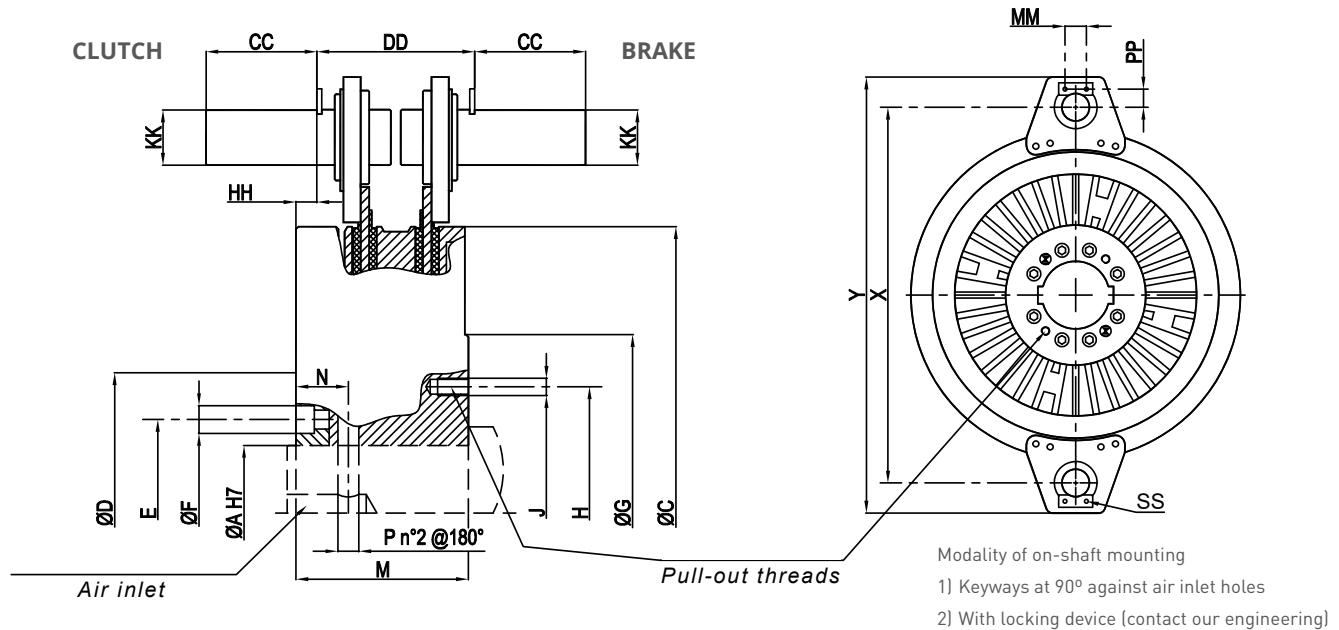
Size	25		30		40		45		50		55		57	
Type	mm	in	mm	in	mm	in	mm	in	mm	in	mm	in	mm	in
<b>A max</b>	95	3.74	125	4.92	140	5.51	160	6.29	180	7.08	200	7.87	220	8.66
<b>A min</b>	55	2.16	70	2.75	80	3.15	90	3.54	100	3.93	110	4.33	115	4.52
<b>B</b>	437	17.2	535	21.06	620	24.41	680	26.77	775	30.51	865	34.06	950	37.4
<b>C</b>	380	14.96	465	18.31	543	21.38	593	23.35	675	26.57	755	29.72	830	32.68
<b>D</b>	168	6.61	228	8.97	325	12.8	375	14.76	420	16.54	500	19.69	480	18.9
<b>E</b>	118	4.64	152	5.98	174	6.85	194	7.63	220	8.66	225	8.85	280	11.02
<b>F</b>	19	0.74	22,5	0.88	26	1	28	1.1	32	1.26	38	1.49	38	1.49
<b>G</b>	221	8.7	290	11.42	330	12.99	362	14.25	425	16.73	465	18.31	530	20.87
<b>H</b>	155	6.1	205	8.07	225	8.85	250	9.84	300	11.81	320	12.6	380	14.96
<b>J</b>	M12		M14		M16		M18		M20		M24		M24	
<b>K</b>	3	0.11	3	0.11	3	0.11	3	0.11	4	0.15	4	0.15	4	0.15
<b>M</b>	112	4.4	140	5.51	160	6.29	175	6.89	195	7.67	220	8.66	240	9.44
<b>N</b>	36	1.41	42,5	1.67	51	2	55	2.16	64	2.5	71	2.79	78	3.07
<b>P</b>	14	0.55	17	0.66	20	0.78	22	0.86	25	0.98	28	1.1	30	1.18
<b>Q</b>	408	16.06	500	19.69	584	22.99	640	25.2	725	28.54	810	31.89	890	35.04
<b>R</b>	18	0.7	25	0.98	25	0.98	30	1.18	35	1.37	41	1.61	45	1.77
<b>S</b>	M10		M14		M14		M16		M20		M24		M24	
<b>T</b>	20	0.78	25	0.98	28	1.1	32	1.26	35	1.37	40	1.57	44	1.73
<b>U</b>	38	1.49	47	1.85	55	2.16	61	2.4	66	2.59	75	2.95	81	3.18
<b>Max Speed</b>	rpm		rpm		rpm		rpm		rpm		rpm		rpm	
	1500		1250		1100		1000		850		750		700	
<b>Weight</b>	kg	lb	kg	lb	kg	lb	kg	lb	kg	lb	kg	lb	kg	lb
	51,61	113.8	98,5	217.19	163,8	361.18	213,6	470.99	309,5	682.45	435,16	959.53	568,63	1253.8
<b>New cylinder volume</b>	lt		lt		lt		lt		lt		lt		lt	
	0,644		0,87		1,4		1,94		2,43		3,16		5,358	
<b>Worn cylinder volume</b>	lt		lt		lt		lt		lt		lt		lt	
	1,273		1,866		3,036		4,1		4,73		6,73		9,513	

For single stroke operations consult our technical office.

Due to technical updates, we reserve the right to make changes without previous notice.

# DESCH Lutex<sup>®</sup> LOFCEZ

## Single-Disc Clutch and Brake



Size	25		30		40		45		50		55		57	
Type	mm	in	mm	in	mm	in	mm	in	mm	in	mm	in	mm	in
<b>A max</b>	95	3.74	125	4.92	140	5.51	160	6.29	180	7.08	200	7.87	220	8.66
<b>A min</b>	55	2.16	70	2.75	80	3.14	90	3.54	100	3.93	110	4.33	115	4.5
<b>C</b>	380	14.96	465	18.3	543	21.37	593	23.34	675	26.57	755	29.72	830	32.67
<b>D</b>	168	6.61	228	8.97	325	12.79	375	14.76	420	16.53	500	19.68	480	18.89
<b>E</b>	118	4.64	152	5.98	174	6.85	194	7.63	220	8.66	225	8.85	280	11.02
<b>F</b>	19	0.74	22,5	0.88	26	1	28	1.1	32	1.25	38	1.49	38	1.49
<b>G</b>	221	8.7	290	11.41	330	12.99	362	14.25	425	16.73	465	18.3	530	20.86
<b>H</b>	155	6.1	205	8.07	225	8.85	250	9.84	300	11.81	320	12.59	380	14.96
<b>J</b>	M12		M14		M16		M18		M20		M24		M24	
<b>M</b>	112	4.4	140	5.51	160	6.29	175	6.88	195	7.67	220	8.66	240	9.44
<b>N</b>	36	1.41	42,5	1.67	51	2	55,0	2.16	64	2.5	71	2.79	78	3.07
<b>P</b>	14	0.55	17	0.66	20	0.78	22	0.86	25	0.98	28	1.1	30	1.18
<b>X</b>	495	19.48	610	24.01	695	27.36	770	30.31	880	34.64	970	38.18	1.100	43.3
<b>Y</b>	575	22.63	708	27.87	793	31.22	907	35.7	1.020	40.15	1.130	44.48	1.264	49.76
<b>CC</b>	65	2.55	90	3.54	90	3.54	120	4.72	120	4.72	130	5.11	150	5.9
<b>DD</b>	104	4.09	128	5.03	143	5.62	156	6.14	174	6.85	197	7.75	243	9.56
<b>HH</b>	13	0.51	17	0.66	22	0.86	24	0.94	26	1.02	28	1.1	17	0.66
<b>KK</b>	32	1.25	45	1.77	45	1.77	60,0	2.36	60	2.36	65	2.55	75	2.95
<b>MM</b>	25	0.98	35	1.37	35	1.37	45	1.77	45	1.77	45	1.77	60	2.36
<b>PP</b>	21	0.82	29,5	1.16	29,5	1.16	39,5	1.55	39,5	1.55	39,50	1.55	52,5	2.06
<b>SS</b>	5,5	0.21	6,5	0.25	6,5	0.25	8,5	0.33	8,5	0.33	8,5	0.33	10,5	0.41
<b>Max Speed</b>	rpm		rpm		rpm		rpm		rpm		rpm		rpm	
	1500		1250		1100		1000		850		750		700	
<b>Weight</b>	kg	lb	kg	lb	kg	lb	kg	lb	kg	lb	kg	lb	kg	lb
	51,61	113.8	98,5	217.19	163,8	361.17	213,6	470.98	309,5	682.44	435,16	959.52	568,63	1253.82
<b>New cylinder volume</b>	lt		lt		lt		lt		lt		lt		lt	
	0,644		0,87		1,4		1,94		2,43		3,16		5,358	
<b>Worn cylinder volume</b>	lt		lt		lt		lt		lt		lt		lt	
	1,273		1,866		3,036		4,1		4,73		6,73		9,513	

For single stroke operations consult our technical office.  
 Due to technical updates, we reserve the right to make changes without previous notice.

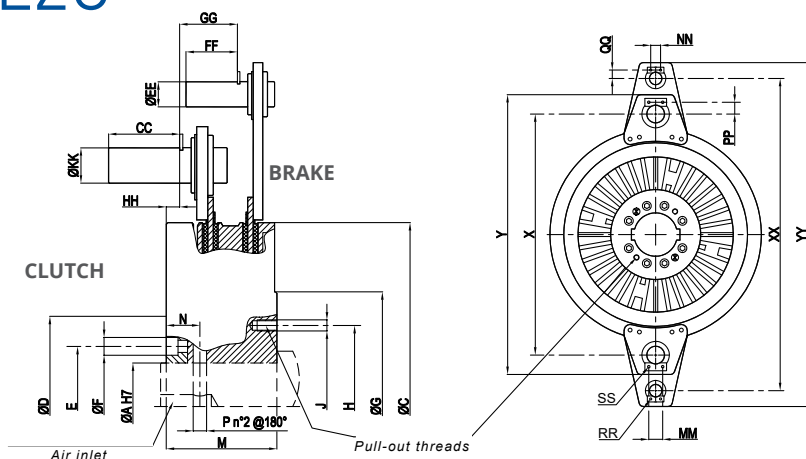
# DESCH Lutex® LOFCEZU

## Single-Disc Clutch and Brake

Modality of on-shaft mounting

1) Keyways at 90° against air inlet holes

2) With locking device (contact our engineering)



Size	25		30		40		45		50		55		57	
Type	mm	in	mm	in	mm	in	mm	in	mm	in	mm	in	mm	in
<b>A max</b>	95	3.74	125	4.92	140	5.51	160	6.29	180	7.08	200	7.87	220	8.66
<b>A min</b>	55	2.16	70	2.75	80	3.14	90	3.54	100	3.93	110	4.33	115	4.5
<b>C</b>	380	14.96	465	18.3	543	21.37	593	23.34	675	26.57	755	29.72	830	32.67
<b>D</b>	168	6.61	228	8.97	325	12.79	375	14.76	420	16.53	500	19.68	480	18.89
<b>E</b>	118	4.64	152	5.98	174	6.85	194	7.63	220	8.66	225	8.85	280	11.02
<b>F</b>	19	0.74	22,5	0.88	25,5	1	28	1.1	32	1.25	38	1.49	38	1.49
<b>G</b>	221	8.7	290	11.41	330	12.99	362	14.25	425	16.73	465	18.3	530	20.86
<b>H</b>	155	6.1	205	8.07	225	8.85	250	9.84	300	11.81	320	12.59	380	14.96
<b>J</b>	M12		M14		M16		M18		M20		M24		M24	
<b>M</b>	112	4.4	140	5.51	160	6.29	175	6.88	195	7.67	220	8.66	240	9.44
<b>N</b>	36	1.41	42,5	1.67	51	2	55	2.16	63,5	2.5	71	2.79	78	3.07
<b>P</b>	14	0.55	17	0.66	20	0.78	22	0.86	25	0.98	28	1.1	30	1.18
<b>X</b>	495	19.48	610	24.01	695	27.36	770	30.31	880	34.64	970	38.18	1100	43.3
<b>Y</b>	575	22.63	708	27.87	793	31.22	907	35.7	1020	40.15	1130	44.48	1264	49.76
<b>CC</b>	65	2.55	90	3.54	90	3.54	120	4.72	120	4.72	130	5.11	150	5.9
<b>EE</b>	30	1.18	32	1.25	32	1.25	45	1.77	45	1.77	60	2.36	65	2.55
<b>FF</b>	60	2.36	65	2.55	65	2.55	90	3.54	90	3.54	120	4.72	130	5.11
<b>GG</b>	58	2.28	73	2.87	84	3.3	86	3.38	100	3.93	114	4.48	121,5	4.78
<b>HH</b>	13	0.51	17	0.66	22	0.86	24	0.94	26	1.02	28	1.1	17	0.66
<b>KK</b>	32	1.25	45	1.77	45	1.77	60	2.36	60	2.36	65	2.55	75	2.95
<b>MM</b>	25	0.98	35	1.37	35	1.37	45	1.77	45	1.77	45	1.77	60	2.36
<b>NN</b>	25	0.98	25	0.98	25	0.98	35	1.37	35	1.37	45	1.77	45	1.77
<b>PP</b>	21	0.82	29,5	1.16	29,5	1.16	39,5	1.55	39,5	1.55	39,5	1.55	52,5	2.06
<b>QQ</b>	20	0.78	21	0.82	21	0.82	29,5	1.16	29,5	1.16	42,5	1.67	42,5	1.67
<b>RR</b>	5,5	0.21	5,5	0.21	5,5	0.21	6,5	0.25	6,5	0.25	8,5	0.33	8,5	0.33
<b>SS</b>	5,5	0.21	6,5	0.25	6,5	0.25	8,5	0.33	8,5	0.33	8,5	0.33	10,5	0.41
<b>XX</b>	635	25	790	31.1	885	34.84	990	38.97	1135	44.68	1235	48.62	1450	57.08
<b>YY</b>	700	27.56	870	34.25	967	38.07	1102	43.38	1255	49.4	1369	53.89	1610	63.38
<b>Max Speed</b>	rpm 1500		rpm 1250		rpm 1100		rpm 1000		rpm 850		rpm 750		rpm 700	
<b>Weight</b>	kg	lb	kg	lb	kg	lb	kg	lb	kg	lb	kg	lb	kg	lb
	51,61	113.8	98,5	217.19	163,8	361.17	213,6	470.98	309,5	682.44	435,16	959.52	568,63	1253.82
<b>New cylinder volume</b>	lt		lt		lt		lt		lt		lt		lt	
	0,644		0,87		1,4		1,94		2,43		3,16		5,358	
<b>Worn cylinder volume</b>	lt		lt		lt		lt		lt		lt		lt	
	1,273		1,866		3,036		4,1		4,73		6,73		9,513	

For single stroke operations consult our technical office.

Due to technical updates, we reserve the right to make changes without previous notice.

# Contact

---

Nidec DESCH Antriebstechnik GmbH & Co. KG  
Postfach / Postbox 1440  
59753 Arnsberg/Germany  
Kleinbahnstraße 21  
59759 Arnsberg/Germany  
T +49 2932 300 279  
info@desch.com  
**www.desch.com**

