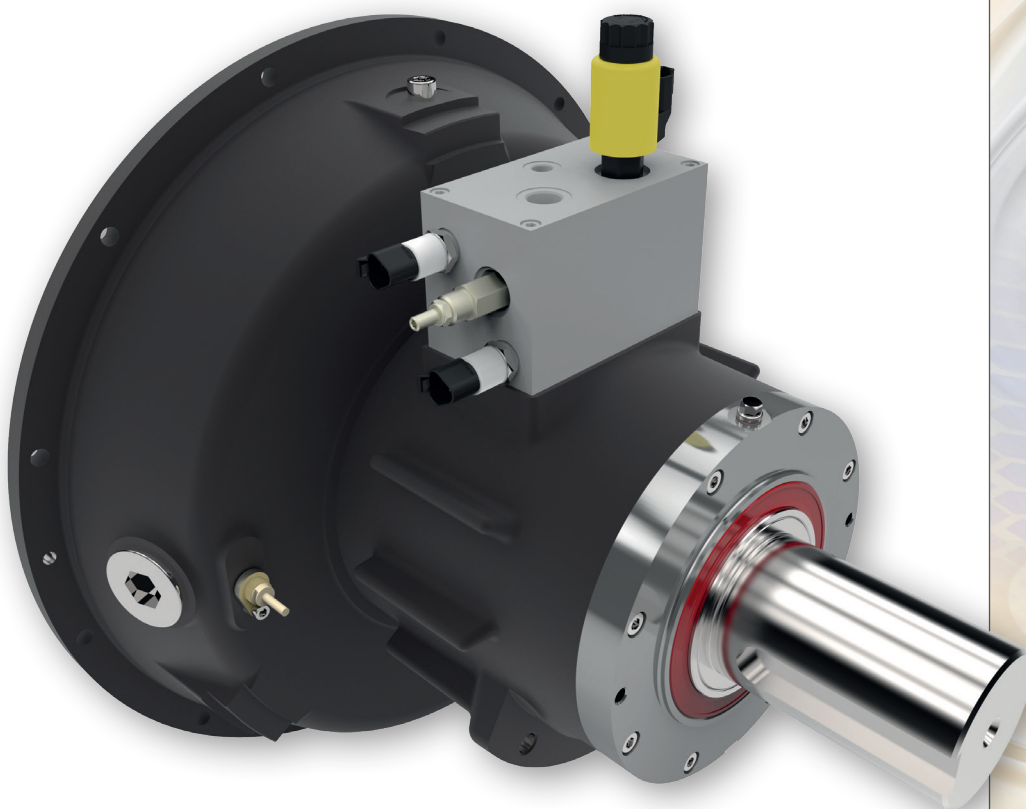


DESCH PRODUCTS FOR MOBILE APPLICATIONS



Planox[®] clutch PHRA 143/1 SR the newest addition to the DESCH Planox[®] range



Benefits

- high radial / axial load
- latest generation of clutch control
- self contained
- no pilot bearing
- compact design
- available in SAE 1 and SAE 2 bellhousing
- plug and play speed sensors
- hydraulic input supply up to 350 bar
- J1939 compatible
- heavy duty clutch plates

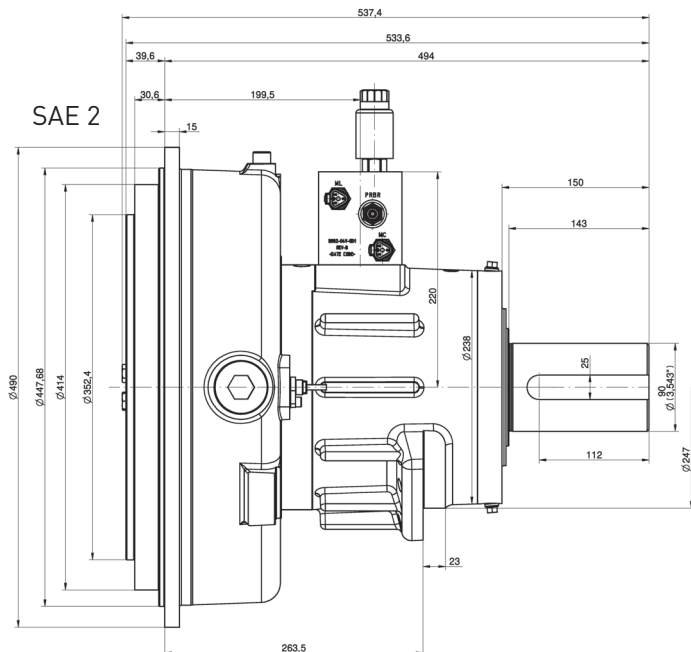
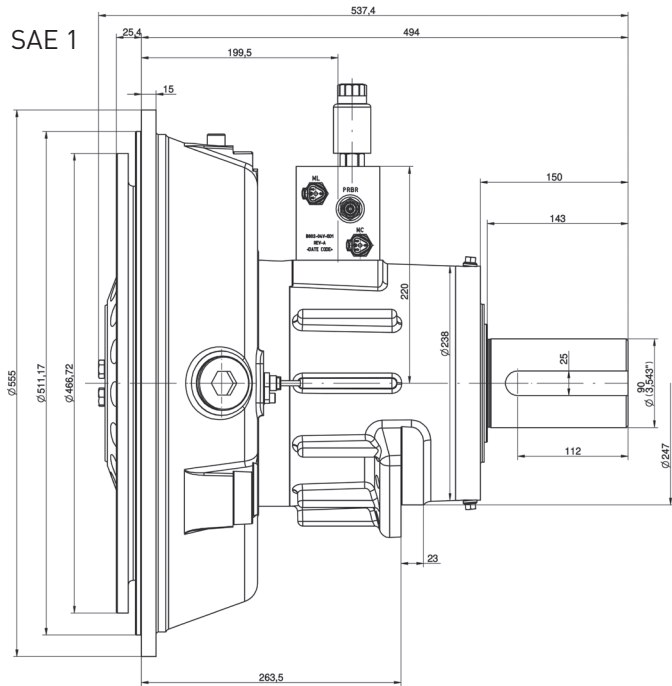
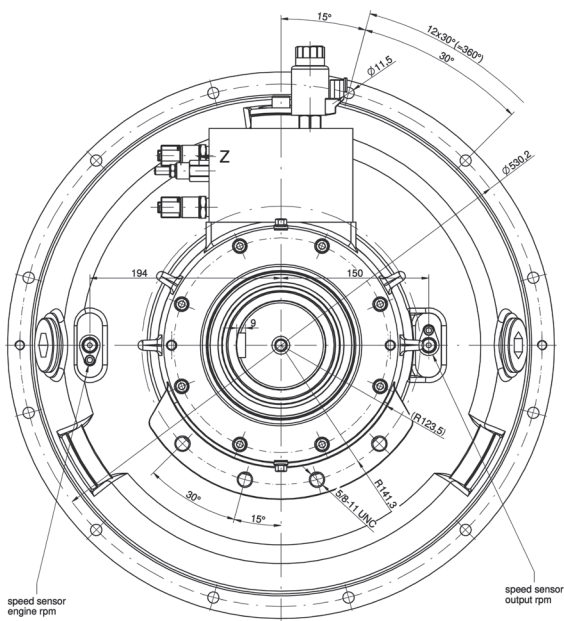
Technical specification

max. output torque	6000 Nm (4425 lb-ft)
max. operating speed	2250 rpm
engaging speed	800 rpm
max. operating pressure	350 bar (5076 psi)





SMART DRIVE SOLUTIONS



INTERNATIONAL

DESCH Antriebstechnik GmbH & Co. KG
 Postbox 1440
 59753 Arnsberg/Germany
 Kleinbahnstraße 21
 59759 Arnsberg/Germany
 T +49 2932 300 0
 F +49 2932 300 899
 info@desch.com
 www.desch.com

DESCH Canada Ltd.
 240 Shearson Crescent
 Cambridge
 Ontario
 Canada N 1T 1J6
 T +1800 2631866
 +1519 6214560
 F +1519 6231169
 desch.canada@desch.com

DESCH USA Inc.
 3501 Embassy
 Parkway
 Suite 101
 Akron
 Ohio 44333
 T +1 330 937 9030
 F +1 330 937 9031
 sales_usa@desch.com

DESCH Service Center
 USA LP
 4940 Merrifield Rd
 Dallas
 Texas 75236
 T +1 214-641-2767
 desch.dallas@desch.com

DESCH Italy
 Drive Technology
 Ufficio di rappresentanza
 in Italia
 Via Cavriana, 3
 20134 Milano/Italy
 T +39 02 7391 280
 F +39 02 7391 410
 desch.italia@desch.com

DESCH China
 Machinery (Pinghu) Co., Ltd.
 No. 1680 Xingping 1 Road, Build. 3
 Pinghu Economic Technological
 Development Zone
 314200 Zhejiang P. R. China
 T +86 573 8557 8988
 F +86 573 8557 8989
 desch.china@desch.com

DESCH do Brasil
 Power Transmission S.A.
 Rdv Edgar Máximo
 Zambotto, s/n km 54
 Campo Limpo Paulista, SP
 CEP: 13.231-700
 T +55 11 4039 8240
 F +55 11 4039 8222
 desch.brasilien@desch.com