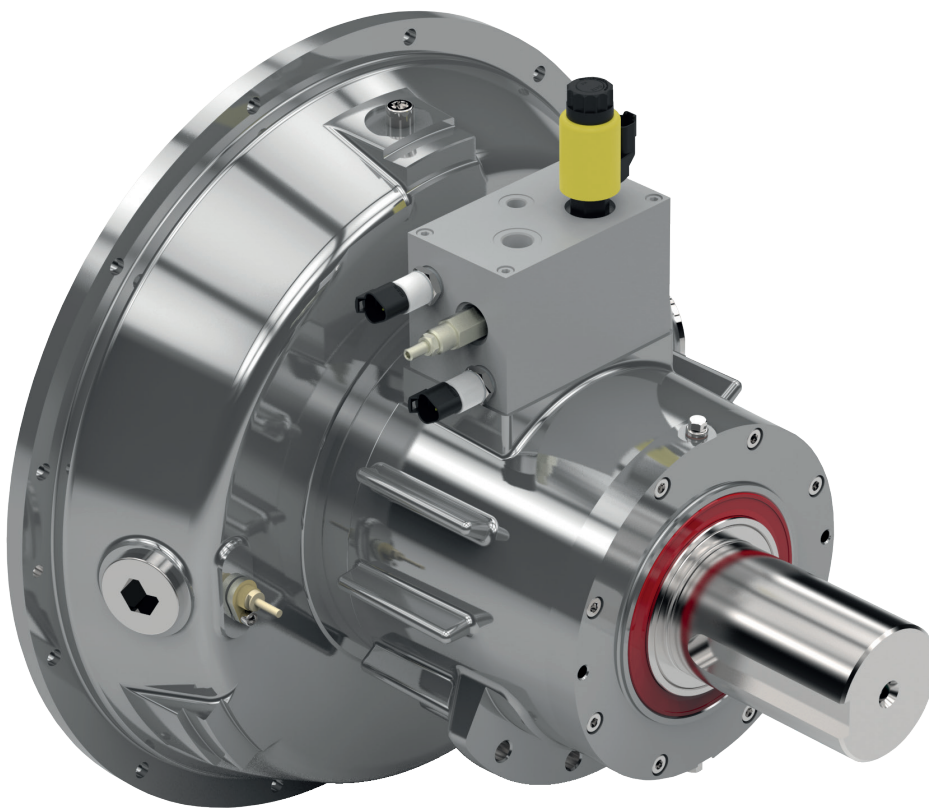


# DESCH Products for Mobile Applications



## Planox<sup>®</sup> clutch PHRA 143/1 SR an addition to the DESCH Planox<sup>®</sup> range



### Technical specification

|                         |                      |
|-------------------------|----------------------|
| max. output torque      | 6000 Nm (4425 lb-ft) |
| max. operating speed    | 2250 rpm             |
| engaging speed          | 800 rpm              |
| max. operating pressure | 350 bar (5076 psi)   |

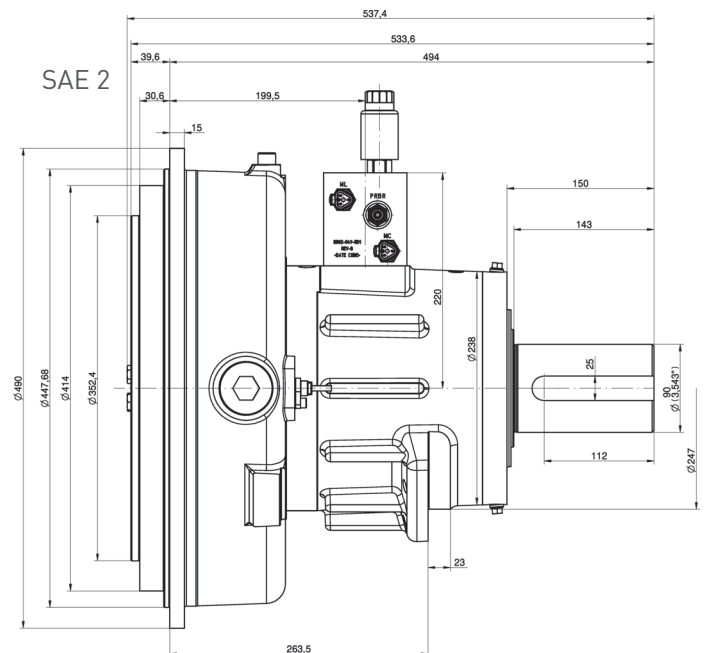
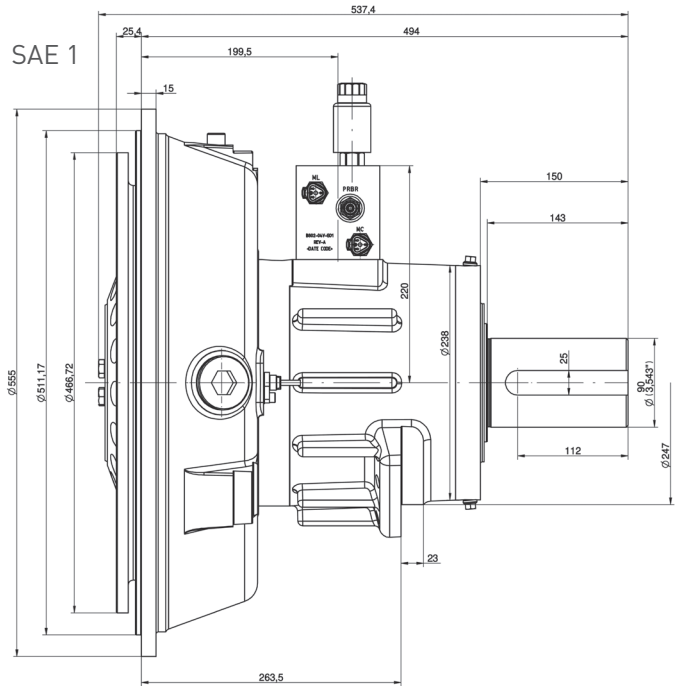
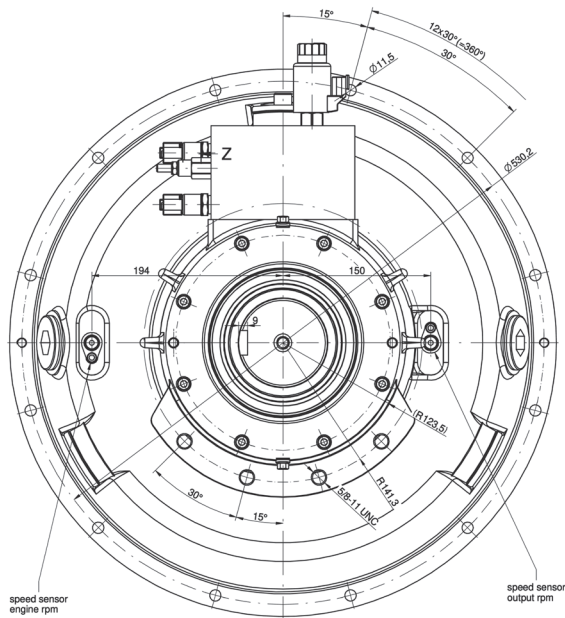
### Benefits

- high radial / axial load
- latest generation of clutch control
- self contained
- no pilot bearing
- compact design
- available in SAE 1 and SAE 2 bellhousing
- plug and play speed sensors
- hydraulic input supply up to 350 bar
- J1939 compatible
- heavy duty clutch plates





SMART DRIVE SOLUTIONS



## Contact

Nidec DESCH Antriebstechnik GmbH & Co. KG  
Postbox 1440  
59753 Arnsberg/Germany  
Kleinbahnstraße 21  
59759 Arnsberg/Germany  
T +49 2932 300 0  
F +49 2932 300 899  
info@desch.com  
[www.desch.com](http://www.desch.com)

