

# DESCH Lutex® LKB SPARE PART KITS

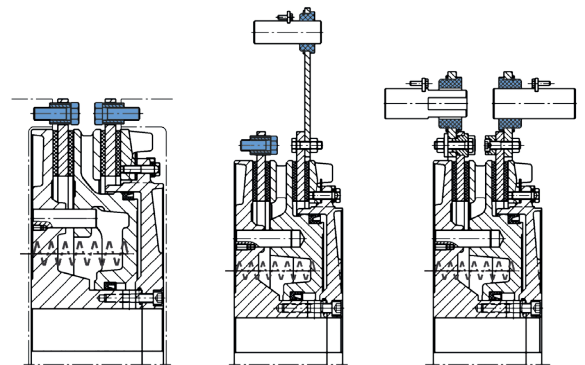


DESCH has expanded its service concept and is happy to support you even better in preventative maintenance as well as availability of standard wear parts. Helping to regularly maintain your drives, DESCH offers smart and attractively priced system kits of spare parts for our clutch/break combinations Lutex® LKB.

Depending on the scope of maintenance you can choose between three system kits. The bottom-up designed kits S/M/L are available for all regular sizes and types of Lutex® LKB.

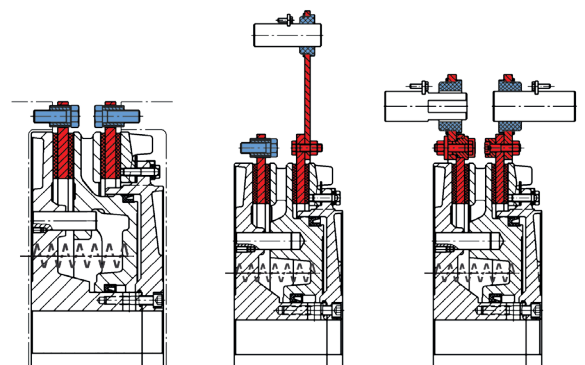
## System-Kit S

This small kit contains those components mandatory for minor maintenance tasks and consists of all elements for 12- and 2-point mountings including all relevant fixation elements.



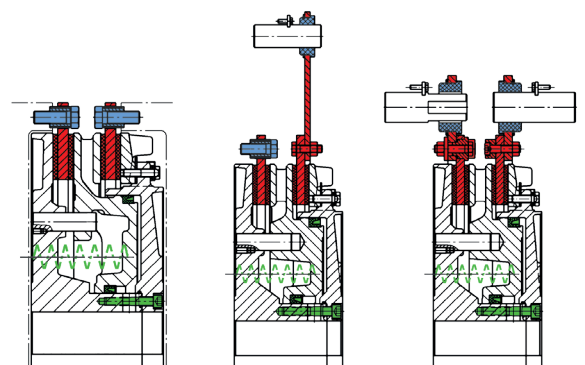
## System-Kit M

For medium maintenance jobs including exchange of friction discs this medium kit bases on the smaller kit S and does additionally include the frictions discs for clutch- and brake side as well as new straps with all relevant fixation elements.



## System-Kit L

For a more extensive revision of the clutch/break combination we do recommend this large kit containing all wear parts of the Lutex® LKB. Based on the small and medium kit this largest system kit is enriched by seals, springs and all relevant fixation elements.



# DESCH Lutex® LKB SPARE PART KITS

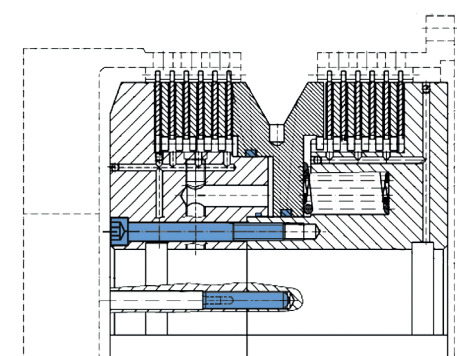


DESCH therefore offers the spare part kits for the clutch/brake combination Lutex® HKB.

Dependent from the scope of maintenance, there are two sequential modules available for the usual sizes and types.

## System-Kit S - HKB

The package contains for a renewal of the sealing necessary quad- and O-rings, the supporting rings and the fastening elements.



## System-Kit M - HKB

For a global overhaul, which includes the replacement of the friction discs, building on System-Kit S, the System-Kit M contains the sinter and steel plates of the clutch and the brake side, as also new springs.

